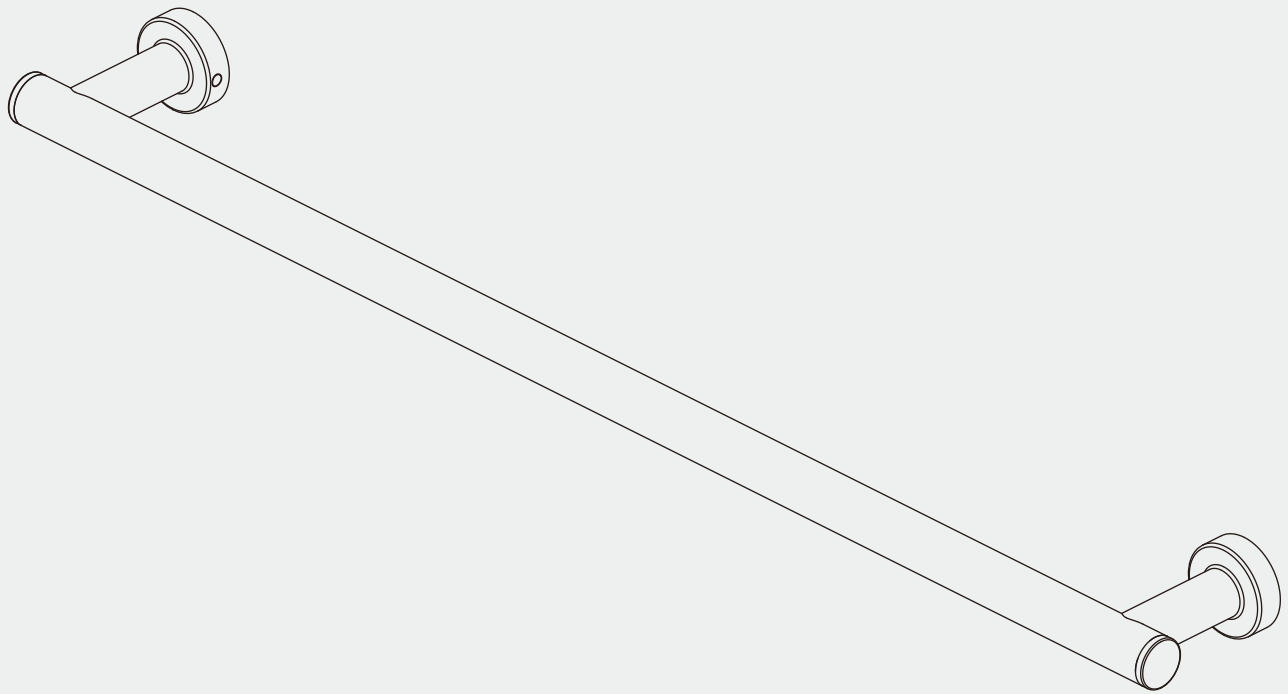


INSTALLATION INSTRUCTIONS

Y1-5470

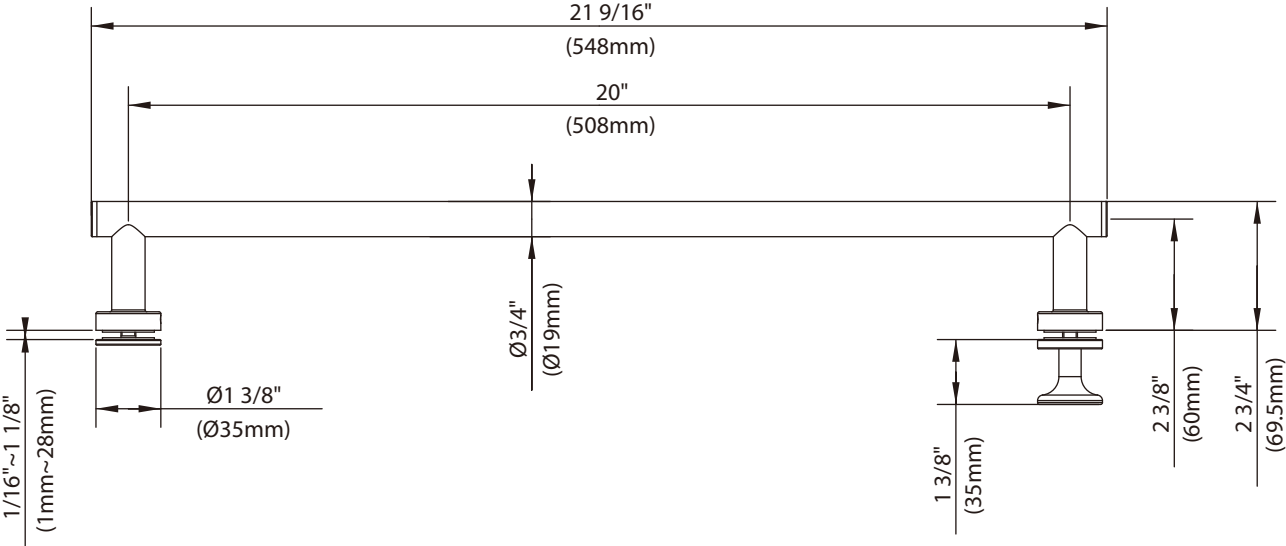
20" SHOWER DOOR HANDLE WITH SINGLE AND DOUBLE MOUNTING KIT



LEFROY BROOKS

Dimensions

Y1-5470

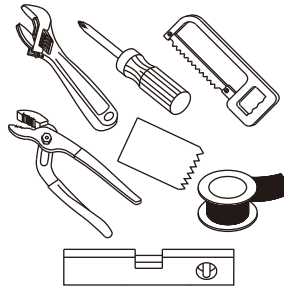


Whilst every effort is made to ensure accuracy, design and dimensions are subject to change without notice as part of the company's product development process.

What you need to know

Tools:

Adjustable Wrench
Groove Joint Pliers
Hacksaw
Phillips Screwdriver
Pipe Tape
Spatula
Spirit Level



Maintenance

Your new bathroom faucet is designed for years of trouble-free performance.

Keep it looking new by cleaning it periodically with a soft cloth. Avoid abrasive cleaners, wire wool and harsh chemicals as these will dull the finish and void your warranty.

Safety Tips

If you are soldering during faucet installation, remove cartridges, seats, gaskets and washers prior to applying flame, otherwise you will void the warranty.

Cover drain openings to avoid losing small parts.

When cutting or soldering pipe, use safety glasses to protect your eyes.

Important Points

Prior to beginning installation, turn off the cold and hot water lines and open the old faucet to release built-up pressure.

Overtightening nuts may cause damage.

Wrap all threaded connections with pipe tape available at your local plumbing supply store. Always wrap in a clockwise direction. The fittings should be installed by a state-licensed plumber.

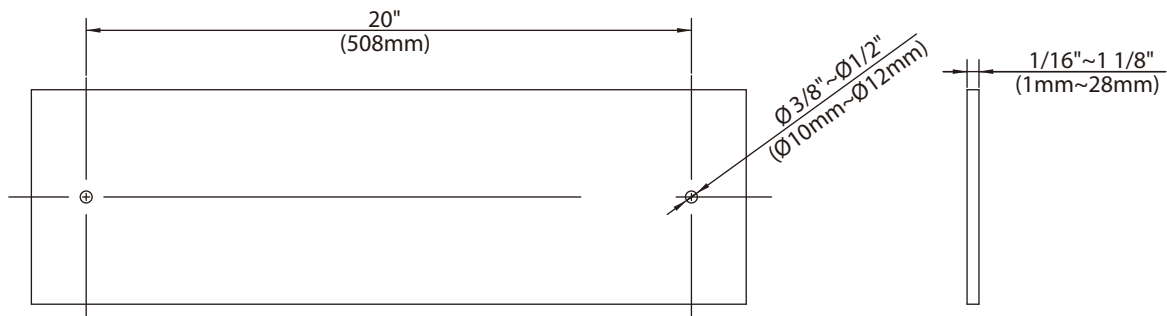
Things You May Need

Correct installation may vary depending on previous faucet installation. All necessary supplies required for faucet installation are not included, but may be found where plumbing supplies are sold. It is suggested that IAPMO and/or CSA approved plumbing supplies are used during installation.

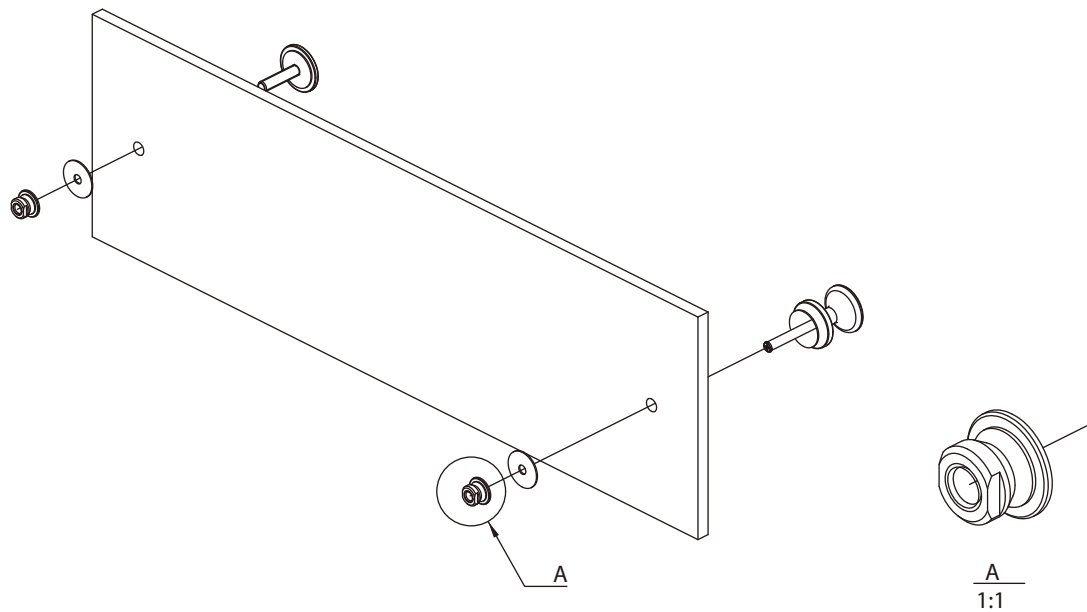
Steps 1-2

Installation Procedure

Lefroy Brooks always recommends that plumbing products be installed by a licensed professional. Shut off main water supply before installation.



1



2

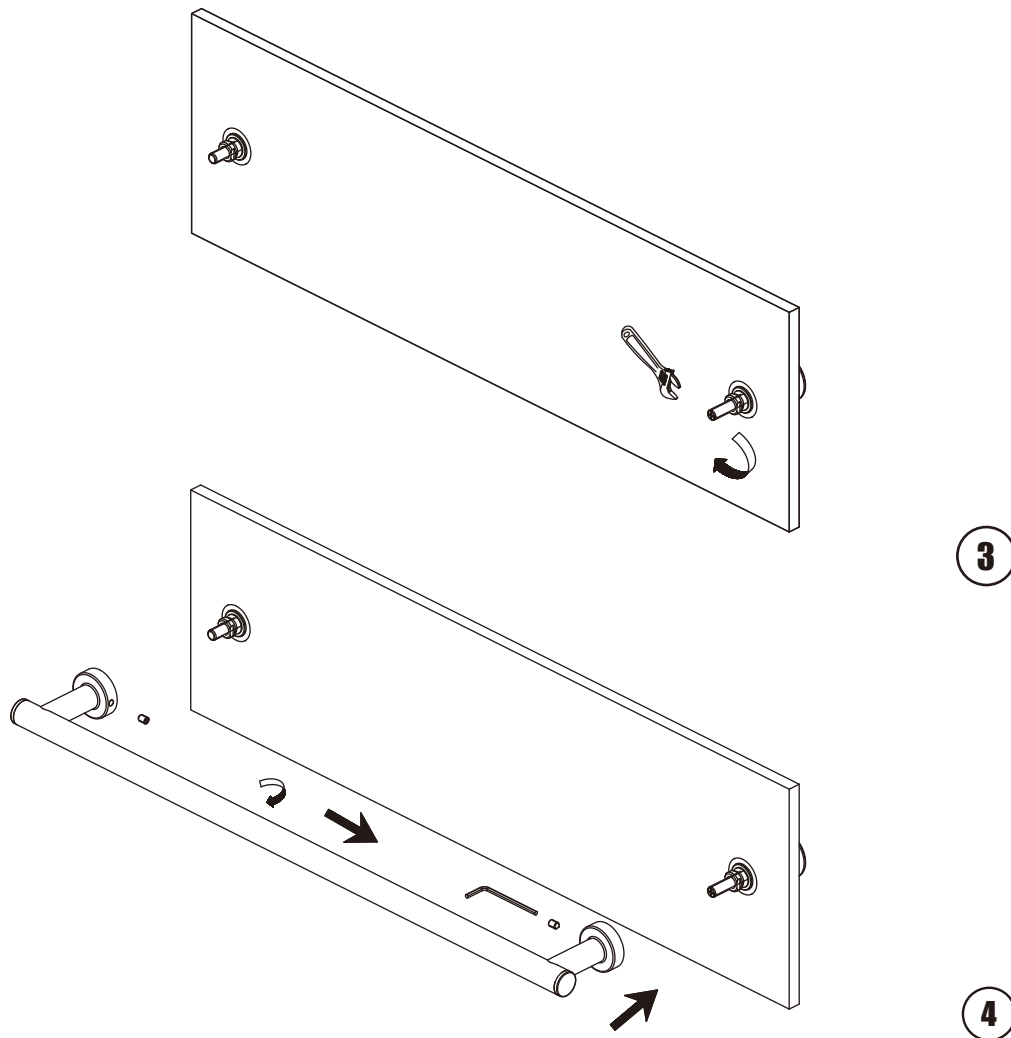
1 Before installation, make sure the dimensions for the shower door are as indicated above. Please note: this product can also be orientated vertically.

2 Insert the Stud Bolts through the holes with washers and nuts. Please note the direction of the nuts should be as indicated above (A).

Steps 3-4

Installation Procedure

Lefroy Brooks always recommends that plumbing products be installed by a licensed professional. Shut off main water supply before installation.



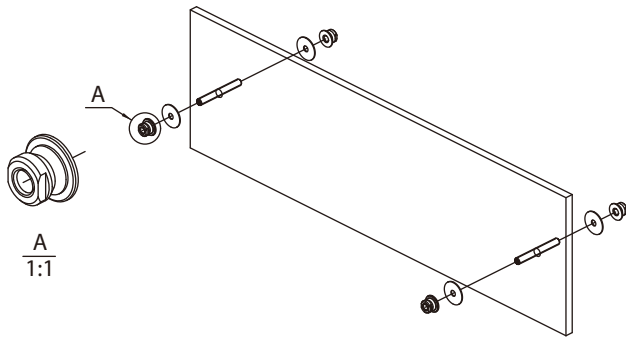
3 Adjust the direction of the Stud Bolts and tighten the nuts.

4 Attach the door handle on to the nuts and fix the handle tightly with set screws. In case you cannot attach the door handle on to the studs smoothly, please return to step 3 - loosen the nuts a little to adjust to the proper distance between the two studs then fix the nuts again.

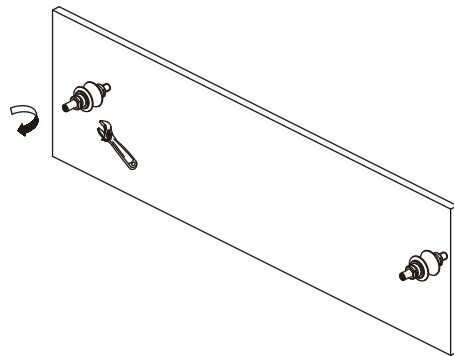
Steps 5-7

Installation Procedure

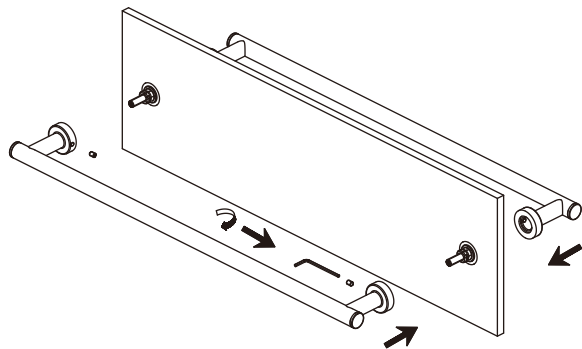
Lefroy Brooks always recommends that plumbing products be installed by a licensed professional. Shut off main water supply before installation.



5



6



7

5 In case you are buying two sets of this product and want to convert them into a double shower door handle, please take the following steps. Firstly, screw the stud bolts into the nuts. Please note the direction of the nuts should be as indicated above (A).

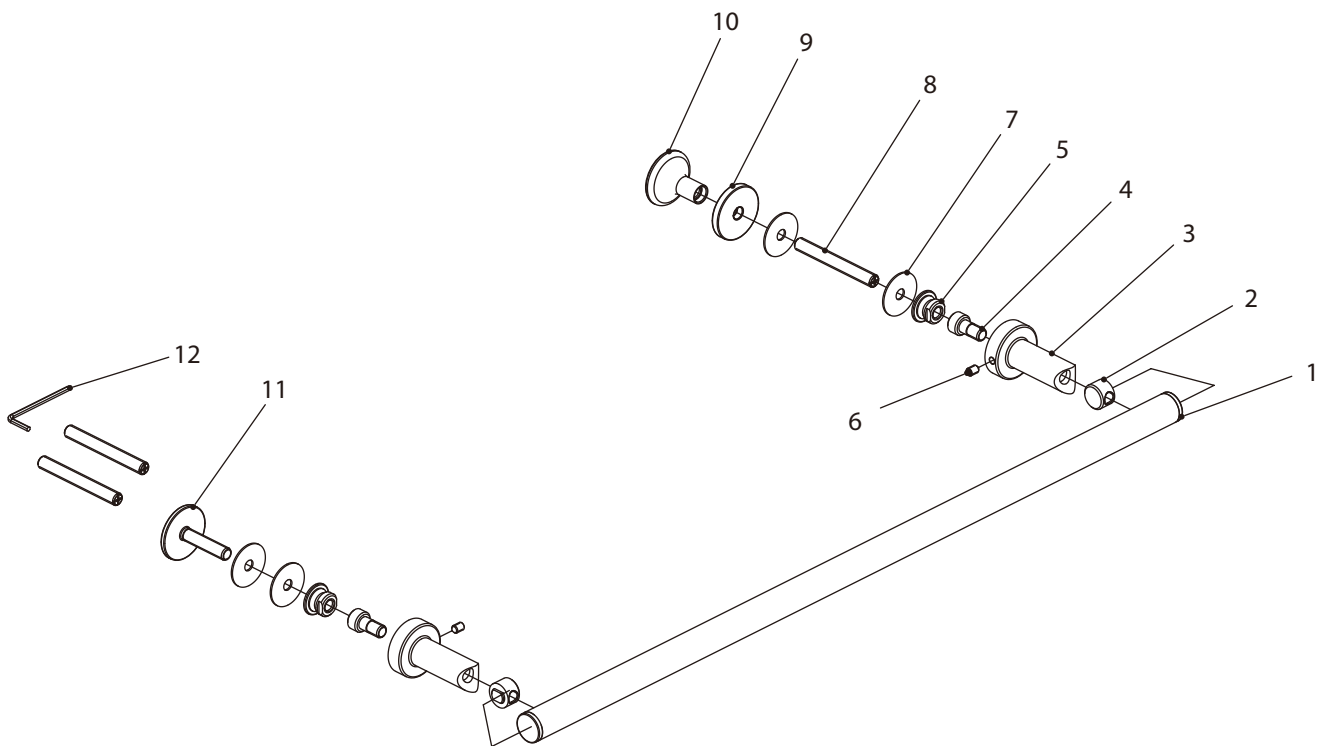
7 Attach the two door handles on to the nuts then fix them tightly with set screws.

6 Ensure the stud bolts protrude from each side of the door as evenly as possible, to prevent them conflicting with the door handle brackets once they are fitted. Then tighten the fixing nuts securely.

Exploded View

Parts List

Y1-5470



| | | | | | |
|---|------------------|---|-----------------------|----|--------------------|
| 1 | Rail (258139) | 5 | Adaptor (259136) | 9 | Adaptor (067292) |
| 2 | Adaptor (259139) | 6 | Set screw (239192-80) | 10 | Adaptor (259138) |
| 3 | Bracket (246145) | 7 | Washer (013047) | 11 | Adaptor (259137) |
| 4 | Screw (008151) | 8 | Stud bolt (017094) | 12 | Allen key (031000) |

For additional assistance or service call

718-302-5292

9am to 5pm EST Monday to Friday



LEFROY BROOKS

www.lefroybrooks.com

LEFROY BROOKS INC, 1828 TROUTMAN STREET, RIDGEWOOD, NY, 11385
TELEPHONE: 718-302-5292. FAX: 718-302-4177

The use of trademarks, product design and artwork is subject to licence or agreement with LBIP Ltd. The design registrations, trademark registrations and copyrights are protected by law and the use or reproduction outside the terms of an agreement is prohibited. The right to modify designs and dimensions is reserved. Christo Lefroy Brooks is a member of ACID (Anti Copying in Design).